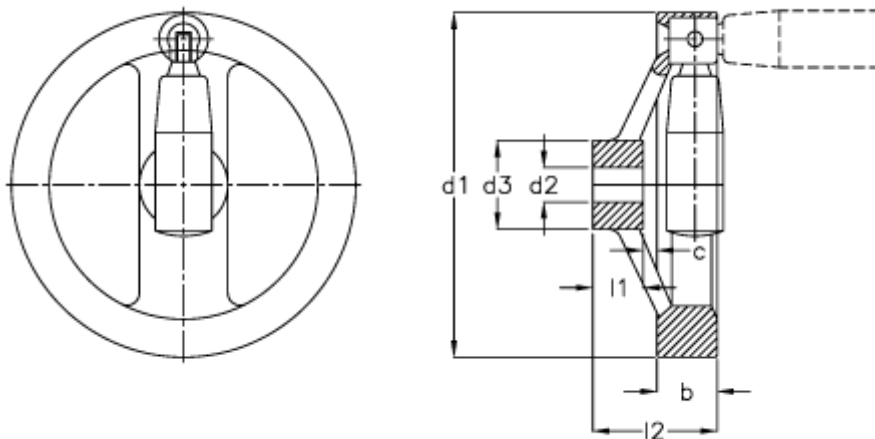


# Data Sheet



Article number: 201263316  
Description: E+G Handwheel  
GN 322.3-160-B16-R

## Measures



b	= 25.0	l2 = 47.0
c	= 4.0	
d1	= 160	
d2 H7	= 16	
d2 H7	= 14	
d3	= 36	
Handle	= 26	
l1	= 20	